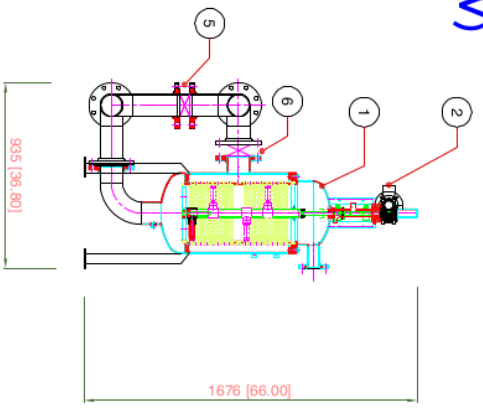
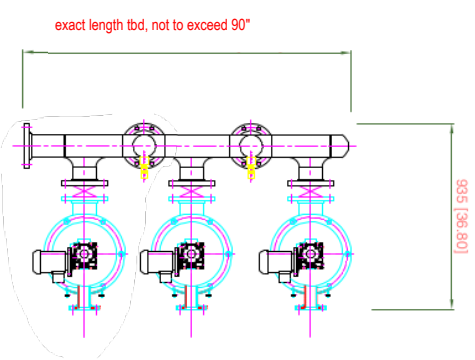


OMICRON TRIPLE 5300-10(V)

to be oriented for maximum reduced footprint



*Note: Exact length of manifold to be determined by factory.
Panel to be mounted at end or may be wall-mounted.*



NO.	ITEM
1	SCREEN FILTER OMICRON 5300-10(V)
2	ELECTRIC MOTOR
3	CONTROL PANEL
4	MANUAL BUTTERFLY VALVE 4"
5	MOTORIZED VALVE 4" - BYPASS
6	MANUAL BUTTERFLY VALVE 4"
7	RAW WATER INLET 4"
8	FILTERED WATER OUTLET 4"
9	BACKWASH VALVE 2"
10	



NO.	ITEM	QUANTITY	MATERIAL	OBSERVATIONS
1	TRIPLE OMICRON 5300(V) WITH MANIFOLD	1	***	***
1	Modification	Date	Name	Sign.
2				
3				
4				
5				
6				

CLIENT	OMICRON WATER TECHNOLOGIES
REFERENCE	SKID 3 OMICRON 5300 - 10
(V) DESCRIPTION	OMICRON 5300 - 10 (V)
Work Order	N° Drawing
Projection	
Approved	

Scale	1:20
Formal	A3
Date	10/01/17
Name	J.P.R.
Signed	

Project: OMICRON WATER TECHNOLOGIES, 235 West 75 Street
 Document: 03572
 Date: 18-April-2019
 Produced by: STF Filtrós