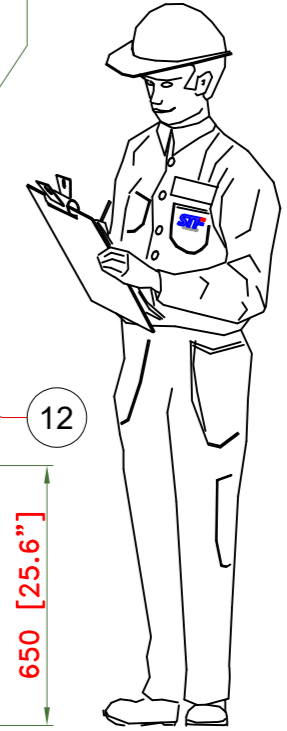
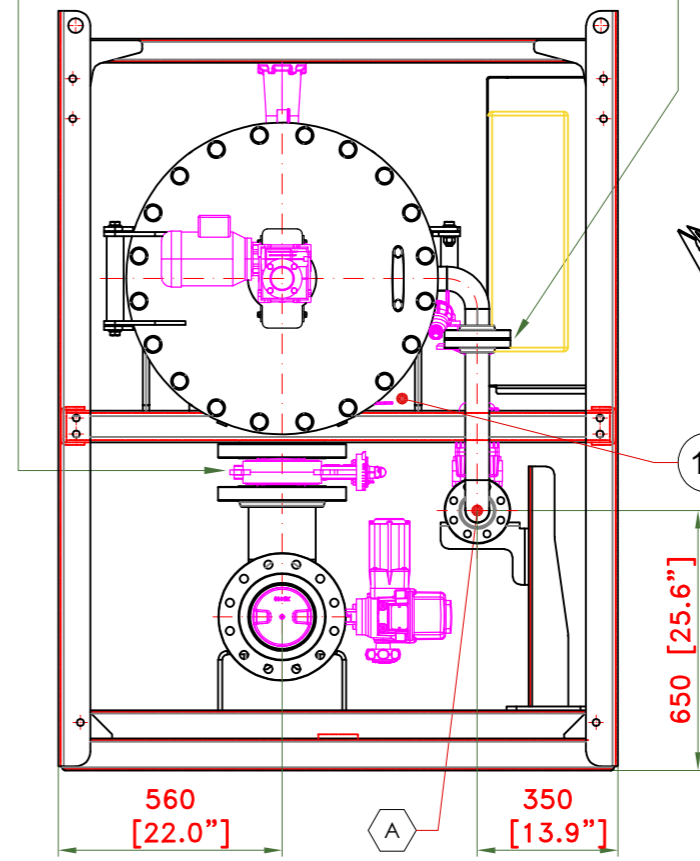


- STUD BOLT UNC 3/4" x 210 - A4.....12ud
- NUT UNC 3/4" - A4.....24ud
- WASHER UNC 3/4" - A4.....24ud
- GASKET ANSI 6" 300 # EPDM.....2ud
- 3 UNITS

- BOLT UNC 5/8" x 80 - A4.....8ud
- NUT UNC 5/8" - A4.....8ud
- WASHER UNC 5/8" - A4.....16ud
- GASKET ANSI 2" 300 # EPDM.....1ud
- 3 UNITS



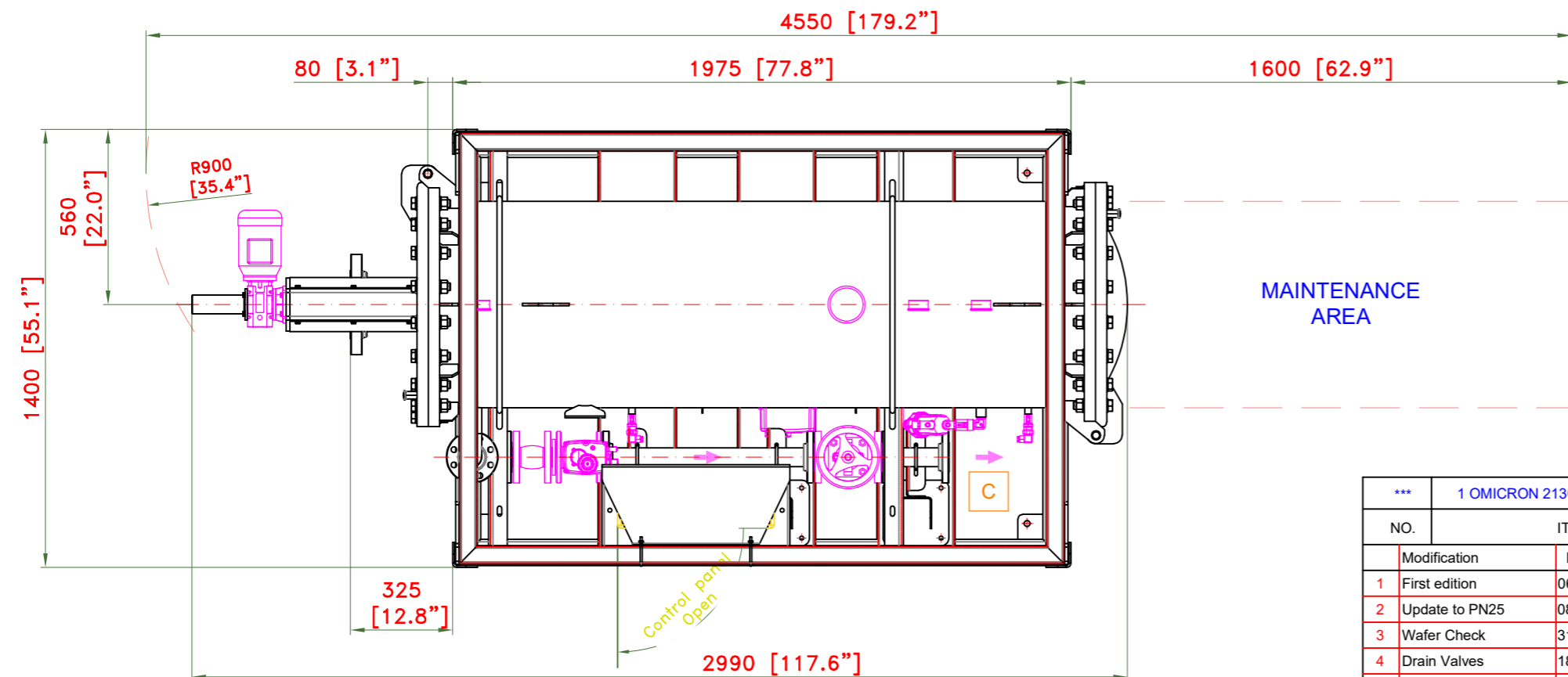
ITEM	LINE	CONNEXION
A	RAW WATER INLET	6" 300# ANSI
B	FILTERED WATER OUTLET	6" 300# ANSI
C	BACKWASH OUTLET	2" 300# ANSI

- STUD BOLT UNC 3/4" x 240 - A4.....12ud
- NUT UNC 3/4" - A4.....24ud
- WASHER UNC 3/4" - A4.....24ud
- GASKET ANSI 6" 300 # EPDM.....2ud
- 1 UNIT

- BOLT UNC 5/8" x 80 - A4.....12ud
- NUT UNC 5/8" - A4.....12ud
- WASHER UNC 5/8" - A4.....24ud
- GASKET ANSI 2" 300 # EPDM.....1ud
- 1 UNIT

OMICRON 21300-25(H) PN25

ITEM	DESIGNATION	QUANT.	MATERIAL	OBSERVATIONS
1	AUTOMATIC FILTER: FMA-2014	1	CARBON STEEL	
	WITH INLET / OULET NOZZLES 6"-300lbs			
2	ELECTRIC MOTOR	1	...	
3	CONTROL PANEL DIMENSIONS: 600 x 500 x 200	1	...	
4	WAFER BUTTERFLY VALVE 6" - 300Lbs NSF	1	IRON CAST AISI-316L DISC	RAW WATER INLET
5	WAFER BUTTERFLY VALVE 6" - 300Lbs NSF	1	IRON CAST AISI-316L DISC	BY-PASS
6	WAFER BUTTERFLY VALVE 6" - 300Lbs NSF	1	IRON CAST AISI-316L DISC	FILTERED WATER OUTLET
7	RUBBER EXPANSION JOINT 2" - 300 Lbs L = 130 - FLANGED	1	EPDM	
8	ELECTRIC BACKWASH VALVE 2" L = 150 - FLANGED	1	AISI-316L	BACKWASH OUTLET
9	GATE VALVE 2" - FLANGED L = 216	1	IRON CAST	BACKWASH OUTLET
10	WAFER CHECK VALVE 6" - 300 Lbs L = 106		AISI-316L	
11	SKID	1	S-275-JR	
12	DRAIN VALVE 1" NPT - MALE / FEMALE	2	AISI-316L	



NO.	ITEM	QUANTITY	MATERIAL	OBSERVATIONS
***	1 OMICRON 21300 WITH MANIFOLDS	1	CARBON STEEL	***
1	Modification	Date	Name	Sign.
1	First edition	06/11/18	J.P.R.	
2	Update to PN25	08/07/19	J.P.R.	
3	Wafer Check	31/05/22	L.S.	
4	Drain Valves	18/10/23	L.S.	
5				
6				

CLIENT	OMICRON WATER TECHNOLOGIES	Scale	1:1
REFERENCE	*****	Format	A3
DESCRIPTION	OMICRON 21300-25(H) PN25	Date	29/05/19
Work Order	79221	Nº Drawing	23.79221.00.00
Projection		Reviewed	18/10/23
		Approved	18/10/23

Date	Name	Signed
29/05/19	J.P.R.	
18/10/23	L.S.	
18/10/23	L.S.	

