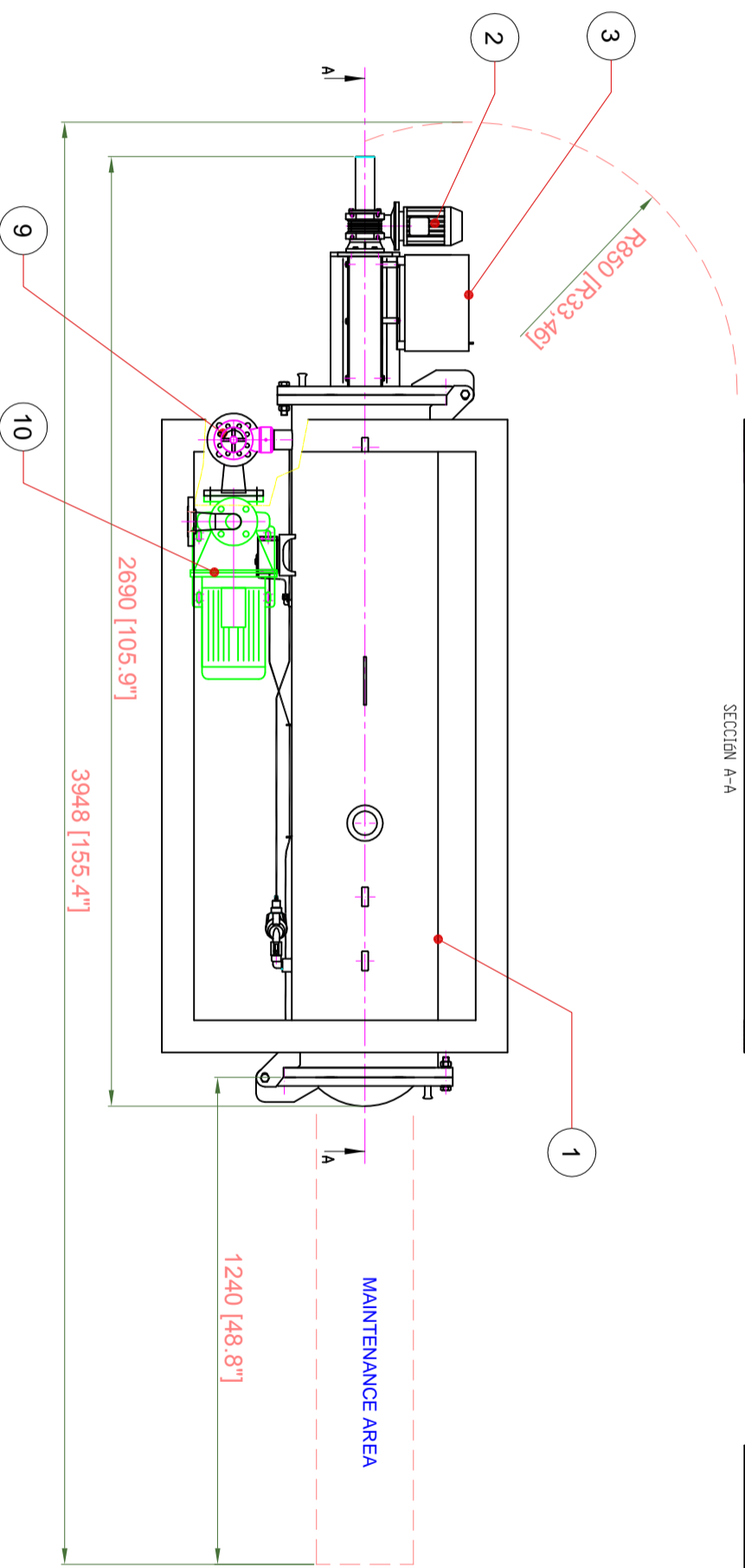
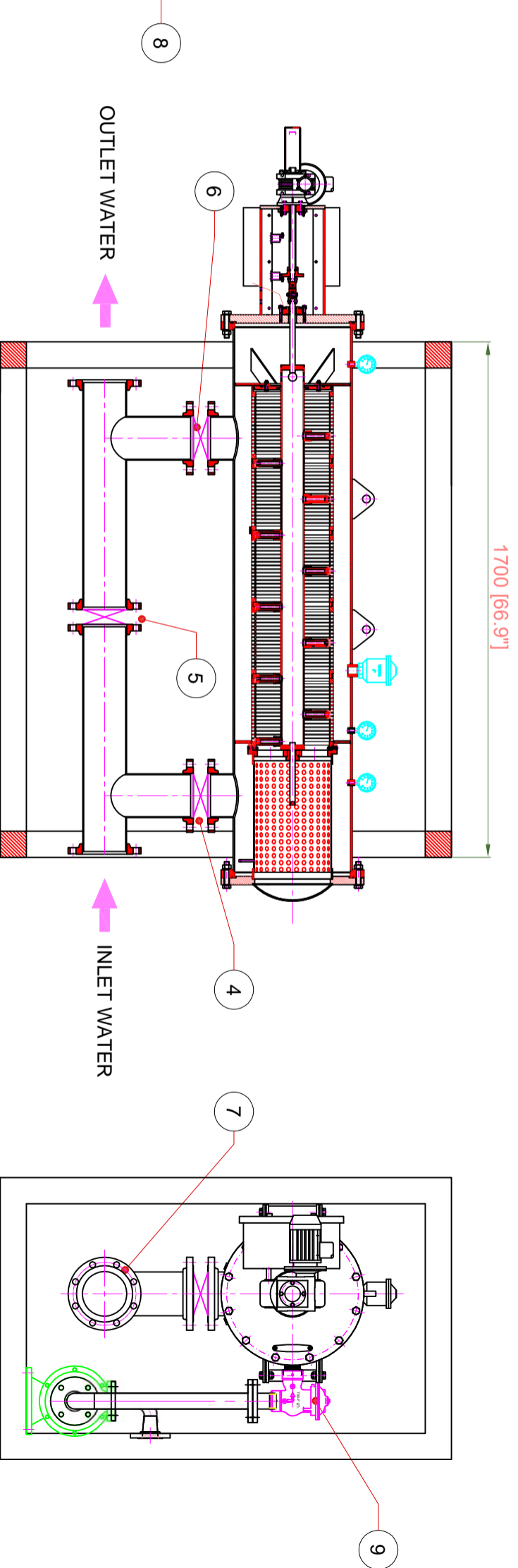
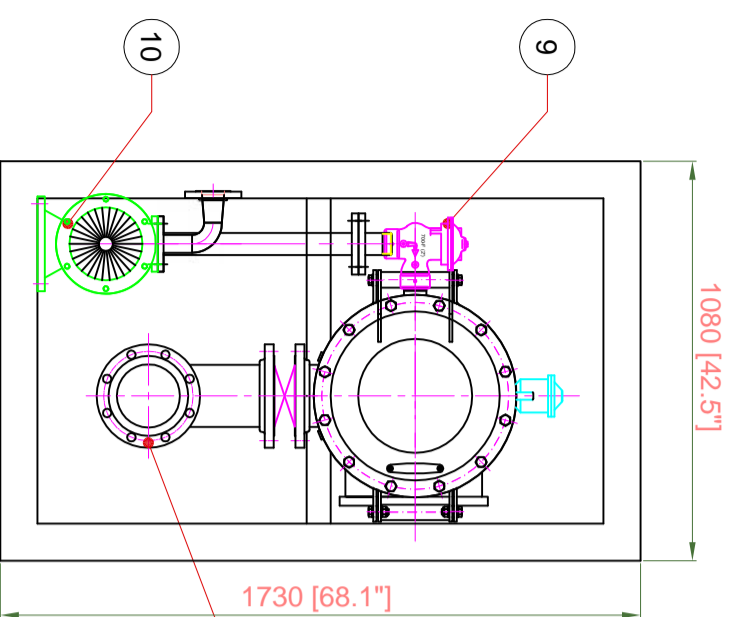


# OMICRON 10600 (H) skid mm [in]



NO.	ITEM
1	SCREEN FILTER OMICRON 10600 (H)
2	ELECTRIC MOTOR
3	CONTROL PANEL
4	MANUAL BUTTERFLY VALVE 4"
5	MOTORIZED VALVE 4" - BY-PASS
6	MANUAL BUTTERFLY VALVE 4"
7	RAW WATER INLET 4"
8	FILTERED WATER OUTLET 4"
9	BACKWASH VALVE 2"
10	FLUSH LINE SUCTION PUMP



MARK	DENOMINATION	QUANTITY	MATERIAL	OBSERVATIONS
***	OMICRON 10600 (H) WITH MANIFOLD	1	***	***
1	Modification	Date	Name	Sign.
2	CLIENT	OMICRON WATER TECHNOLOGIES		
3	REFERENCE	***		
4	DESCRIPTION	OMICRON 10600 - 10(H)		
5	Work Order	N° Drawing		
6				

Scale	Format	Date	Name	Signed
1:20	A3	13/05/16	M.A.C.	
Drawn				
Revived				
Approved				



STF  
SISTEMAS  
FILTROS  
INDUSTRIAL  
MONZON (Uruguay)