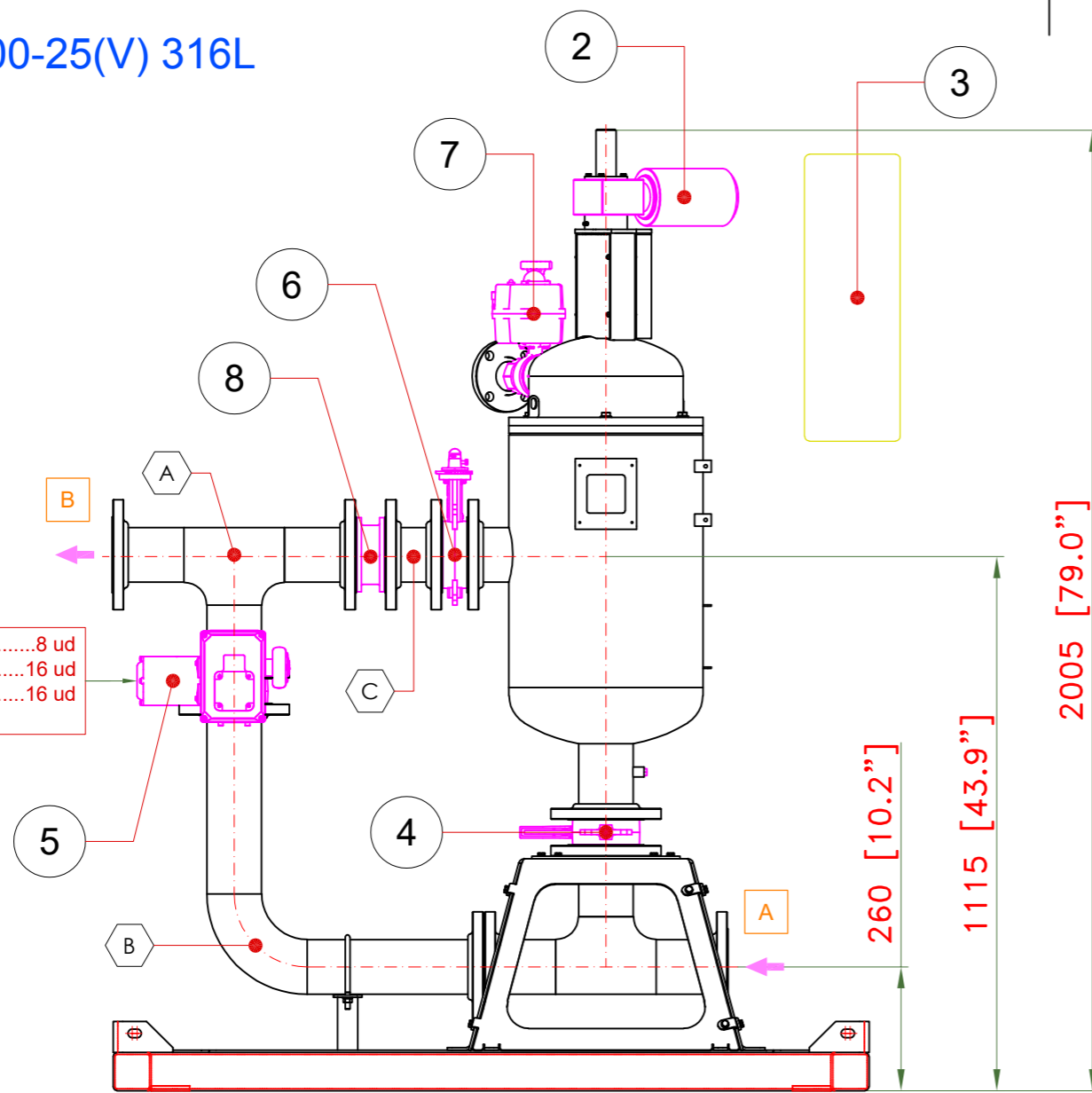


# OMICRON 5300-25(V) 316L

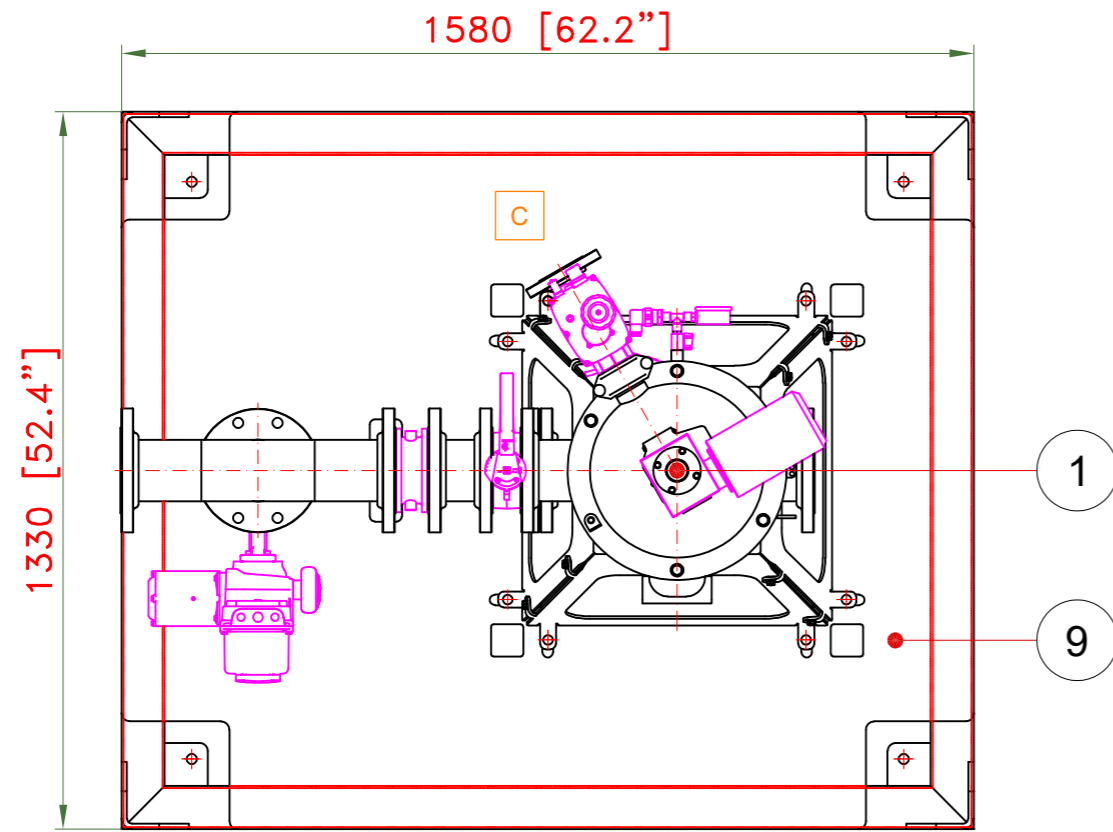


- Stud Bolt M16x160 (A4).....8 ud
- Nut M16 (A4).....16 ud
- Whaser M16 (A4).....16 ud
- 4 Uds

Allow minimum 86" height from base for screen pullout maintenance.



ITEM	LINE	CONNEXION
A	RAW WATER INLET	4" 150# ANSI
B	FILTERED WATER OUTLET	4" 150# ANSI
C	BACKWASH OUTLET	2" 150# ANSI



ITEM	DESIGNATION	QUANT.	MATERIAL	OBSERVATIONS
1	AUTOMATIC FILTER: FMA-1006-E WITH INLET / OULET NOZZLES 4"-150lbs	1	AISI-316L	
2	ELECTRIC MOTOR	1	***	
3	CONTROL PANEL DIMENSIONS: 600 x 500 x 200	1	***	ON THE WALL
4	BUTTERFLY VALVE 4" - 150Lbs	1	IRON CAST AISI-316L DISC	RAW WATER INLET
5	BUTTERFLY VALVE 4" - 150Lbs	1	IRON CAST AISI-316L DISC	BY-PASS
6	BUTTERFLY VALVE 4" - 150Lbs	1	IRON CAST AISI-316L DISC	FILTERED WATER OUTLET
7	BACKWASH VALVE 2" - THREADED	1	AISI-316L	BACKWASH OUTLET
8	WAFER CHECK VALVE 4" - 150 Lbs L = 60	1	AISI-316L	
9	PLATFORM	1	S-275-JR	

REF.	ITEM	QUANTITY	MATERIAL	WEIGHT	OBSERVATIONS
***	1 OMICRON 5300 WITH MANIFOLDS	1	STAINLESS STEEL	***	***
Rev.	Modification	Date	Name	Signed	CLIENT: OMICRON WATER TECHNOLOGIES
A	First edition	13/06/19	J.P.R.	<i>J.P.R.</i>	Scale: 1:14
B	Support updated	08/09/21	J.P.R.	<i>J.P.R.</i>	REFERENCE: ***
C	Check valve added	17/09/21	J.P.R.	<i>J.P.R.</i>	Format: A3
D	Platform added	11/10/21	J.P.R.	<i>J.P.R.</i>	DESCRIPTION: OMICRON 5300-25 (V)
E	Updated version	16/02/22	J.P.R.	<i>J.P.R.</i>	WORK ORDER: 74553
F					N° DRAWING: 22.74553.00.00
					Projection:
					Date: 16/06/19
					Name: J.P.R.
					Signed: <i>J.P.R.</i>
					Date: 16/02/22
					Name: J.P.R.
					Signed: <i>J.P.R.</i>
					Date: 16/02/22
					Name: J.P.R.
					Signed: <i>J.P.R.</i>

